

ECP200 BASE



A line of control panels for cold rooms with single-phase compressor up to 2 HP, specially designed to provide greater flexibility at a competitive cost.

ECP200 BASE2

Allows user to control compressor and cold room light. Configurable auxiliary relay or alarm output also available on the ECP200 Base 2A version.

Applications:

- Single-phase system up to 2 HP, off-cycle defrosting.
- Remote control for compressor enabling to be linked to power board.

ECP200 BASE4

Allows user to control all the components on the refrigeration system: compressor, evaporator fans, defrosting heaters and room light. Configurable auxiliary relay or alarm output also available on the ECP200 Base 4A version.

Applications:

- Single-phase static or ventilated system up to 2 HP, off-cycle or electrical defrosting with direct compressor shutdown (or in pump-down mode, on the ECP 200 BASE4 A version).
- Remote control for compressor, defrosting and fans enabling to be linked to power board.
- Device of single-phase evaporating unit with cold solenoid valve or remote motor condenser unit enabling.

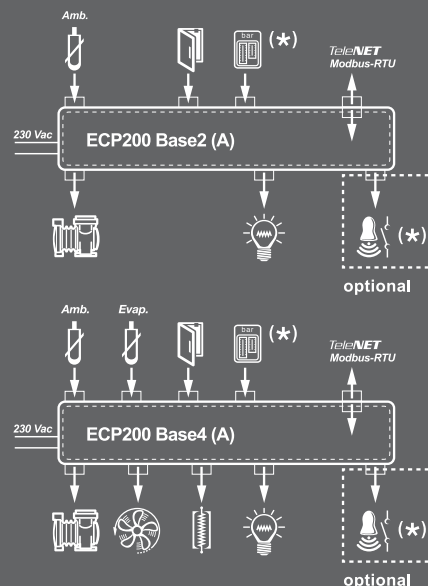
MAIN CHARACTERISTICS

- Direct control of compressor, defrosting heaters, evaporator fans and room light using free-voltage contacts.

- Compact, self-extinguishing ABS housing with IP65 protection rating.
- On "A" versions there is an auxiliary relay with parameter-configurable activation (alarm, temperature set-point, direct frontal pushbutton control, door heater elements, solenoid valve control where pump-down compressor operation is applied).
- RS485 for connection to TeleNET industrial supervision network or Modbus-RTU standard protocol.

CONNECTION DIAGRAM

(*) = Configurable function





TECHNICAL CHARACTERISTICS	ECP200 BASE2	ECP200 BASE4
DIMENSIONS	203 x 193 x 79 mm	203 x 193 x 79 mm
WEIGHT	0,5 kg	0,5 kg
PROTECTION RATING	IP65	IP65
POWER SUPPLY	230 V AC \pm 10% 50-60 Hz	230 V AC \pm 10% 50-60 Hz
LOAD TYPE	SINGLE-PHASE	SINGLE-PHASE
WORKING TEMPERATURE	-5 \div +50 °C	-5 \div +50 °C
STORAGE TEMPERATURE	-10 \div +70 °C	-10 \div +70 °C
RELATIVE AMBIENT HUMIDITY	< 90% RH	< 90% RH
RANGE OF READING	-45 \div +45 °C	-45 \div +45 °C
DEFROST	OFF-CYCLE	ELECTRICAL
STATUS INDICATORS	LED + DISPLAY	LED + DISPLAY
ALARM SIGNALS	LED + BUZZER	LED + BUZZER
INPUTS		
AMBIENT PROBE	NTC 10 k Ω	NTC 10 k Ω
EVAPORATOR PROBE		NTC 10 k Ω
OVERLOAD PROTECTION	PRESENT	PRESENT
DOOR SWITCH	PRESENT	PRESENT
OUTPUTS		
COMPRESSOR	1500 W (2HP)	1500 W (2HP)
DEFROST		3000 W (AC1)
EVAPORATOR FANS		500 W
COLD ROOM LIGHT	800 W (AC1)	800 W (AC1)
ALARM RELAY / AUX (VOLTAGE FREE CONTACT)	PRESENT (ON "A" VERSIONS ONLY)	PRESENT (ON "A" VERSIONS ONLY)
SUPERVISION SYSTEM	TELENET / MODBUS-RTU	TELENET / MODBUS-RTU