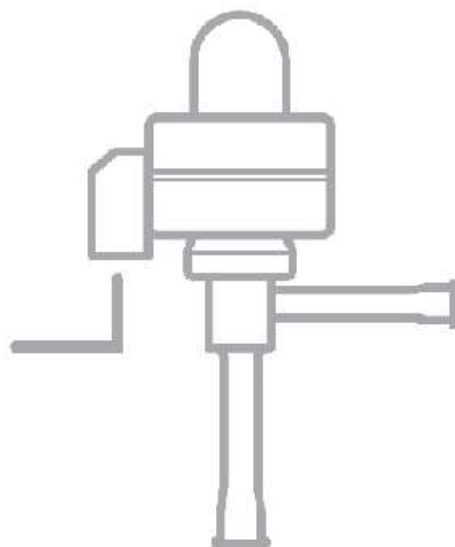


200PEVS01

Driver for Stepper electronic expansion valve



User and maintenance manual

ENGLISH

READ AND KEEP

CONTENTS

INTRODUCTION

CHAP. 1

Page 3	1.1	General
Page 3	1.2	Product identification codes
Page 4	1.3	Overall dimensions
Page 4	1.4	Identification data

INSTALLATION

CHAP. 2

Page 5	2.1	General warnings for the installer
Page 5	2.2	Standard equipment for assembly and use
Page 5	2.3	Installation of the controller

TECHNICAL FEATURES

CHAP. 3

Page 6	3.1	Technical features
--------	-----	--------------------

WARRANTY TERMS

CHAP. 4

Page 7	4.1	Warranty terms
--------	-----	----------------

DATA PROGRAMMING

CHAP. 5

Page 8	5.1	Control panel
Page 8	5.2	Front keypad
Page 9	5.3	LED Display
Page 9	5.4	Combination of keys
Page 10	5.5	Setting and viewing of ESH set points
Page 11	5.6	Level 1 programming
Page 11	5.7	List of Level 1 variables
Page 12	5.8	Level 2 programming
Page 13	5.9	List of Level 2 variables
Page 16	5.10	Level 3 programming
Page 16	5.11	List of Level 3 variables
Page 18	5.12	Variable quick view menu (read-only)
Page 18	5.13	List of variables in variable quick view menu (read-only)
Page 19	5.14	Temperature table for refrigerant fluids
Page 19	5.15	Password function
Page 19	5.16	First start-up procedure

OPTIONS

CHAP. 6

Page 20	6.1	TeleNET monitoring/supervision system
Page 20	6.2	Network configuration with Modbus-RTU protocol

DIAGNOSTICS

CHAP. 7

Page 21	7.1	Diagnostics
---------	-----	-------------

ANNEXES

Page 22	A.1	EU Declaration of Conformity
Page 23	A.2	Connection diagram
Page 24	A.3	Layout and description of sensors
Page 24	A.4	Valves connection

CHAPTER 1: INTRODUCTION

GENERAL

1.1

DESCRIPTION:

The **PEV STEPPER** is an electronic regulator to control the bipolar or unipolar automated electronic expansion valve. It can be configured on either the remote display or the integrated display. It is compatible with the most common STEPPER electronic expansion valves and integrates evaporator superheat control.

APPLICATIONS:

- Refrigerated counters and cold rooms.

MAIN FEATURES:

- Control of the stepper electronic expansion valve.
- Programming of the valve parameters is facilitated with 21 pre-configurations for the most wide-ranging valves on the market. Possibility of manually defining the valve parameters.
- Compatible with 23 gases: R404, R134, R22, R407A, R407F, R407H, R410A, R450A, R507, R513A, R744(CO2), R449A, R290, R32, R448A, R452A, R600, R600A, R1270, R1234ze, R23, R717(NH3), R454C.
- Integrated or remote control console.
- RS485 serial connection with TeleNET or Modbus protocol which can be selected in the parameters.
- Two configurable digital inputs.
- Inlet temperature and evaporation pressure sensor for evaporator superheat control.
- Remote display with IP65 protection.
- Easy programming of parameters with 4 pre-settings for the various applications of the electronic expansion valve.
- Alarm signalling.
- Configurable auxiliary relay with alarm/command on the solenoid valve.
- Password function.
- Led signalling of the system status and display of ample dimensions.
- Userfriendly keypad.

PRODUCT IDENTIFICATION CODES

1.2

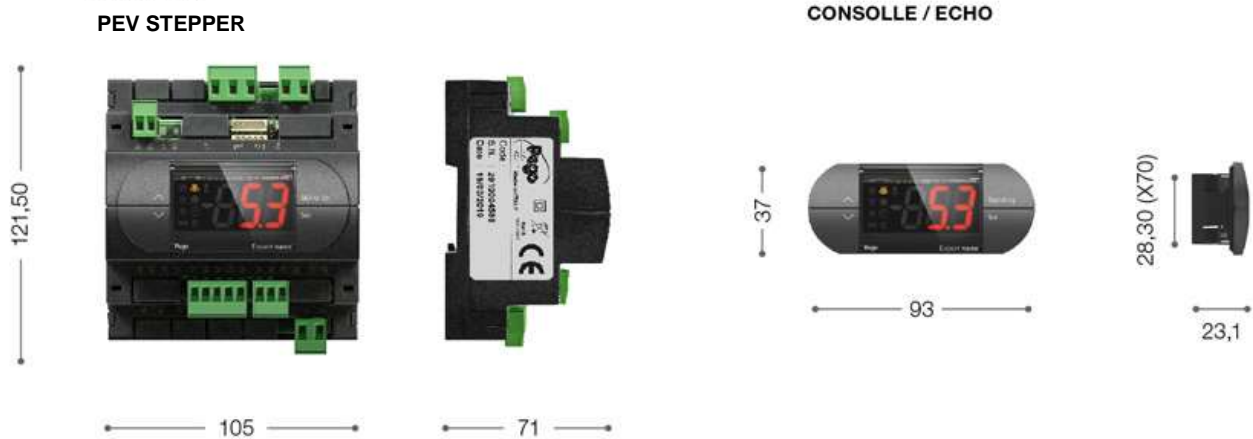
200PEVS01

Electronic regulator for automated electronic expansion valve control. It can be configured on either the remote display or the integrated display, it manages the most common stepper electronic expansion valves. Evaporator super heating control.

1.3

OVERALL DIMENSIONS

Dimensions in mm



1.4

IDENTIFICATION DATA

The device described in this manual has a plate on one side bearing the identification data:

- Name of Manufacturer
- Code and model of the device
- Serial number
- Date of manufacture



CHAPTER 2: INSTALLATION

GENERAL WARNINGS FOR THE INSTALLER

2.1

1. Install the device in an area that ensures the correct degree of protection and take all due care when drilling holes in the box for the cable glands and/or hoses.
2. Avoid using multi-pole cables with conductors connected to inductive and power conductors and signal conductors like sensors and digital inputs.
3. Avoid inserting ducts and power cables with signal cables (sensors and digital inputs) in these.
4. Minimize the length of the connecting cables to prevent these from coiling up and adversely affecting the electronics through induction.
5. All the conductors of the cables must be of an appropriate size to withstand the required load.
6. When extensions are needed for the sensors, it is necessary to use conductors of a suitable size measuring no less than 1mm². Extension or shortening of the sensors may alter the factory settings; use an external thermometer, therefore, for testing and calibration.

STANDARD EQUIPMENT FOR ASSEMBLY AND USE

2.2

The **PEV STEPPER** electronic controller is provided with the following for assembly and use:

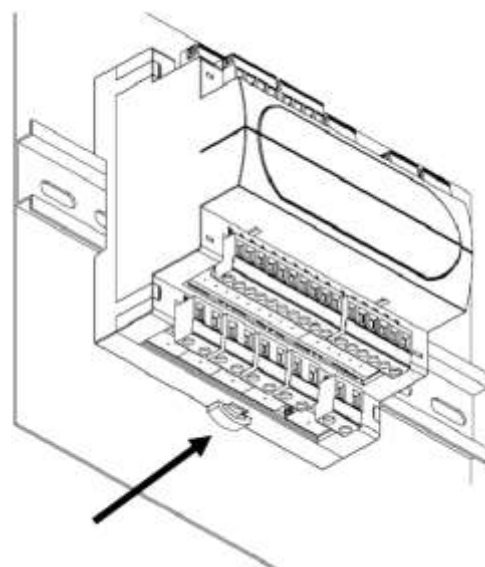
- 1 User manual.

INSTALLATION OF THE CONTROLLER

2.3

Fig. 1: Install the module on the DIN guide and close the bottom clamp to hold it in place.

Make all the electrical connections with reference to the diagrams of the relative model (see the relative tables in the ANNEXES). During the cabling process, it is advisable to keep the power conductors isolated from the signal conductors.



CHAPTER 3: TECHNICAL FEATURES

3.1

TECHNICAL FEATURES

Power supply		
Main Voltage	24 V~ ± 10% 50-60Hz	
Auxiliary Voltage (dedicated for the buffer battery)	24 V dc	
Max power consumption (electronic control only)	Depending on valve, maximum 25 VA with ALCO EX8	
Climatic conditions		
Operating temperature	-5 ÷ +50°C	
Storage temperature	-10 ÷ +70°C	
Relative ambient humidity	Less than 90% RH	
General features		
Compatible types of temperature sensor	Temperature sensors: NTC 10K 1%	
Resolution of temperature sensors	0,1 °C	
Precision of temperature sensor detection	± 0,5 °C	
Range of temperature sensor detection	-45 ÷ +99 °C	
Compatible type of pressure sensor:	Pressure sensor: 4/20mA / radiometric 0-5V	
Output features		
Description		Features of output board
Alarm (voltage-free contact)	(8A AC1 relay)	8(3)A 250V~
Stepper valve	Bipolar valve (4 wires): max 0.8 A Unipolar valve (5-6 wires): max 0.4 A <u>See valves compatibility table</u>	
Dimensional features		
Dimensions	12.15cm x 7.1cm x 10.5cm (HxPxL)	
Dimensions (console/echo)	3.7cm x 2.31cm x 9.3cm (HxPxL)	
Insulation and mechanical properties		
Degree of protection of front console (remote-controlled by the power section if assembled on front of board)	IP65	
Material of boxes	PC+ABS self-extinguishing UL94 V-0	
Type of insulation	Class II	

The **PEV STEPPER** electronic controls are covered by a 24-months warranty against all manufacturing defects as from the date indicated on the product ID code.

In case of defect the product must be appropriately packaged and sent to our production plant or to any authorized Service Center with the prior request of the Return Authorization Number.

Customers are entitled to have defective products repaired, spare parts and labour included. The costs and the risks of transport are at the total charge of the Customer. Any warranty action does not extend or renew its expiration.

The Warranty does not cover:

- Damages resulting from tampering, impact or improper installation of the product and its accessories.
- Installation, use or maintenance that does not comply with the instructions provided with the product.
- Repair work carried out by unauthorized personnel.
- Damage due to natural phenomena such as lightning, natural disasters, etc.

In all these cases the costs for repair will be charged to the customer.

The intervention service in warranty can be refused when the equipment is modified or transformed.

Under no circumstances **Pego S.r.l.** will be liable for any loss of data and information, costs of goods or substitute services, damage to property, people or animals, loss of sales or earnings, business interruption, any direct, indirect, incidental, consequential, damaging, punitive, special or consequential damages, in any way whatsoever caused, whether they are contractual, extra contractual or due to negligence or other liability arising from the use of the product or its installation.

Malfunction caused by tampering, bumps, inadequate installation automatically declines the warranty. It is compulsory to observe all the instructions in this manual and the operating conditions of the product.

Pego S.r.l. disclaims any liability for possible inaccuracies contained in this manual if due to errors in printing or transcription.

Pego S.r.l. reserves the right to make changes to its products which it deems necessary or useful without affecting its essential characteristics.

Each new release of the PEGO product user manual replaces all the previous ones.

As far as not expressly indicated, is applicable the Law and in particular the art. 1512 C.C. (Italian Civil Code).

For any controversy is elected and recognized by the parties the jurisdiction of the Court of Rovigo.

CHAPTER 5: DATA PROGRAMMING



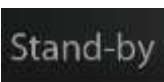

5.1

CONTROL PANEL



5.2

FRONT KEYPAD

- | | | |
|----------|---|---|
| 1 |  | UP KEY
Increases value / Scrolls up through parameters
Turns off auditory alarm in progress / Acquires an alarm. |
| 2 |  | DOWN KEY
Decreases value / Scrolls down through parameters. |
| 3 |  | STAND BY
IMPORTANT: the PEV STEPPER instrument cannot be paused by pressing the key , but only by removing the enable from digital input or LAN. |
| 4 |  | SET
Shows the setpoint
Enables configuration of the SUPERHEAT setpoint when pressed together with the Down or UP key.
Resets an auditory alarm in progress. |

LED DISPLAY

5.3

5



Shows the values / parameters.

6



DEFROSTING ICON

LED OFF = Defrosting input OFF
LED ON = Defrosting input ON

7



EEV OUTPUT STATUS ICON Output status of the EEV electronic valve

LED OFF = EEV output OFF
LED ON = EEV output ON

8



"PRG" ICON

Blinking LED = Programming

9



ALARM IN PROGRESS ICON

LED OFF = No alarm in progress
LED ON = Alarm triggered and then cancelled
Blinking LED = Alarm in progress

COMBINATION OF KEYS

5.4



EXIT PROGRAMMING

Pressing both keys together for over 3 seconds in any programming menu saves all changes made and exits the menu concerned.

A beep is emitted when the system closes the menu.

LEVEL 1 PROGRAMMING



Pressing both keys together for more than 3 seconds enables access to the Level 2 programming menu.

A beep is emitted when the system opens the menu.

To exit the menu, press the up and down arrow keys together (the system beeps to confirm). Alternatively, the system closes the menu automatically when the keypad is not used for 30 seconds.

LEVEL 2 PROGRAMMING (EEV parameters)



Pressing both keys together for more than 3 seconds enables access to the Level 2 programming menu. The system beeps to confirm access to the menu.

To exit the menu, press the up and down arrow keys together (the system beeps to confirm). Alternatively, the system closes the menu automatically when the keypad is not used for 30 seconds.

LEVEL 3 PROGRAMMING (stepper valve parameters)



Pressing both keys together for more than 3 seconds enables access to the Level 3 programming menu. The system beeps to confirm access to the menu.

Entering this menu, adjustment is interrupted and the valve is closed.

To exit the menu, press the up and down arrow keys together (the system beeps to confirm).

VARIABLE QUICK VIEW MENU (READ-ONLY)



Pressing both together for more than 3 seconds enables access to the variable quick view menu. The system beeps to confirm access to the menu.

Use the Up and Down arrow keys to view the labels of the variables.

Press the Set key to alternate between a label and its value.

With the value of a label on display, press the up or down arrow to view the next or previous label.

To exit the menu, press the up and down arrow keys together (the system beeps to confirm). Alternatively, the system closes the menu automatically when the keypad is not used for 2 minutes.

5.5

VIEWING AND CONFIGURATION OF ESH SETPOINT

1. Press the SET key to view the current SETPOINT value (ESH).
2. Pressing and holding the SET key and pressing one of the keys (▲) or (▼) alters the value of the ESH SETPOINT.

Release the SET key to return to the ESH temperature. Any changes made are saved automatically.

Range of the ESH SETPOINT: 0.1 – 25 °C.

LEVEL 1 PROGRAMMING (Installer level)

5.6

To access Level 1 programming, press and hold the UP key (▲), DOWN key (▼) and STAND-BY key for over 3 seconds.

When the first programming variable appears:

1. Use the (▲) key or (▼) key to select the variable to be modified. After selecting the required variable, it is possible to:
2. View its configuration by pressing the SET key.
3. Edit configuration by pressing and holding the SET key and pressing either the (▲) key or the (▼) key.
4. After setting the configuration values, exit the menu by pressing and holding, for several seconds, keys (▲) and (▼) until the room temperature value appears. The system closes the menu when the keypad is not used for over 30 seconds.
5. Any changes made to the variables are saved automatically when the system closes the configuration menu.

Valve control continues even when the menu is open.

LIST OF LEVEL 1 VARIABLES (Installer Level)

5.7

VARIABLES	MEANING	VALUES	DEFAULT
in1	Setting of DI1 digital input and activation status	3 = tPF % fixed opening (N.O.) 2 = Defrosting (N.O.) 1 = ON EEV Driver (N.O.) 0 = Disabled -1 = ON EEV Driver (N.C.) -2 = Defrosting (N.C.) -3 = tPF % fixed opening (N.C.)	1
in2	Setting of DI2 digital input and activation status	3 = tPF % fixed opening (N.O.) 2 = Defrosting (N.O.) 1 = ON EEV Driver (N.O.) 0 = Disabled -1 = ON EEV Driver (N.C.) -2 = Defrosting (N.C.) -3 = tPF % fixed opening (N.C.)	0
DO5	Setting use of DO5 digital output. Configurable auxiliary relay / Alarm Note: Solenoid valve control involves a normal solenoid valve, and the output repeats the ON input of the Driver.	2 = DO5 relay enabled with solenoid valve control 1 = DO5 relay enabled in presence of alarm 0 = DO5 relay disabled -1 = DO5 relay disabled in presence of alarm -2 = DO5 disabled with solenoid valve control	1
diS	Viewing of main page	1 = (tS4) Viewing of Inlet temperature sensor (S4) 2 = (tS5) Viewing of Evaporation temperature sensor (S5) 3 = (PS5) Viewing of Evaporation pressure sensor (S5) 4 = (tSH) Viewing of Superheat temperature 5 = (oEV) Opening percentage of EEV valve	4
SEr	RS-485 communication protocol	0 = TeleNET protocol 1 = Modbus-RTU protocol	0
Ad	Network address for connection to the TeleNET or Modbus supervision system	0 to 31 (with SEr=0) 1 to 247 (with SEr=1)	0

Bdr	Modbus baudrate	0 = 300 baud 1 = 600 baud 2 = 1200 baud	3 = 2400 baud 4 = 4800 baud 5 = 9600 baud	6 = 14400 baud 7 = 19200 baud 8 = 38400 baud	5
Prt	Modbus parity check configuration	0 = none 1 = even 2 = odd			0
bEE	Buzzer Enable	0 = disabled 1 = enabled			1
P1	Password: type of protection (active when PA is not at 0)	0 = shows only the setpoint and permits deactivation of the alarms. 1 = shows the setpoint, permits deactivation of the alarms + access to the read-only variable menu. 2 = disables access to 1°, 2° and 3° programming levels (access permitted to all other functions). 3 = disables access to 2° and 3° programming levels (access permitted to all other functions). 4 = disables access to 3° programming level (access permitted to all other functions).			4
PA	Password (see P1 for the type of protection)	0 ÷ 999 0 = function disabled			0
dEF	Setting the default parameters Move on the dEF parameter and press all keys for 10 seconds to restore the default parameters.	---			---
reL	Software release	read-only			read-only

5.8

LEVEL 2 PROGRAMMING (EEV parameters)

To access Level 2 programming, press and hold the UP key (▲) and STANDBY key for over 3 seconds.

When the first programming variable appears:

1. Use the (▲) key or (▼) key to select the variable to be modified. After selecting the required variable, it is possible to:
2. View its configuration by pressing the SET key.
3. Edit configuration by pressing and holding the SET key and pressing either the (▲) key or the (▼) key.
4. After setting the configuration values, press and hold both the (▲) key and the (▼) key to return to the room temperature value and exit the menu. The system exits the menu when the keypad is not used in 30 seconds.
5. Any changes made to the variables are saved automatically when the system closes the configuration menu. Valve control continues even when the menu is open.

LIST OF LEVEL 2 VARIABLES (EEV parameters)

5.9

VARIABLES	MEANING	VALUES	DEFAULT
EEV	<p>Management of the EEV electronic valve Settings 1 to 5 load the default values of the variables ECt, EPb, Etl, Etd, ELS. Setting value 6 enables the position command of the valve using Modbus (register1536); in this case, it is not necessary to connect the probes and the alarms E4, E5 LSH, MOP, LOP are disabled. The position must be communicated within 60 seconds to avoid closure of the valve. After exiting the programming process the default values are loaded if the value of the EEV differs from the one saved previously. Pressing just the Set key to view the current EEV value does not load the default values.</p>	<p>1 = EEV control (default 1) 2 = EEV control (default 2) 3 = EEV control (default 3) 4 = EEV control (default 4) 5 = EEV control (default 5) 6 = EEV control via Modbus (register 1536)</p> <p>(Table at page 16)</p>	1
ErE	<p>Type of refrigerant GAS in use. The setting of this parameter is essential for correct operation.</p>	<p>0 = R404 11 = R449A 1 = R134 12 = R290 2 = R22 13 = R32 3 = R407A 14 = R448A 4 = R407F 15 = R452A 5 = R407H 16 = R600 6 = R410A 17 = R600A 7 = R450A 18 = R1270 8 = R507 19 = R1234ze 9 = R513A 20 = R23 10=R744(CO2) 21 =R717(NH3) 22 = R454C</p>	0
EPb	Proportional band (gain) superheat control PID.	1 ÷ 100%	15%
Etl	Integral timer superheat PID control algorithm	0 ÷ 500 sec steps of 2 sec	100 sec
Etd	Derivative timer superheat PID control algorithm	0,0 ÷ 10,0 sec steps of 0,1 sec	2,0 sec
EOE	EEV valve opening percentage in event of error with S4 or S5 sensors. This function permits (diminished) control in the event of a fault with one of the control sensors.	0 ÷ 100%	50%
ESO	During the Start-up phase, the EEV valve opens by the ESO percentage for the ESt time.	0 ÷ 100%	85%
ESt	Duration of the Start-up phase. The superheat alarms are disabled during this phase. The MOP, LOP and LSH alarms are disabled during this phase.	0 ÷ Edt tenths of seconds	6 tenths of a second
EdO	After defrosting, the EEV valve opens by the EdO percentage for the Edt time.	0 ÷ 100%	100%
Edt	Duration of EdO valve opening phase after defrosting. The superheat alarms are disabled during this phase. The MOP, LOP and LSH alarms are disabled during this phase.	ESt ÷ 250 tenths of seconds	24 tenths of a second
EHO	Maximum opening percentage of EEV valve. In the case of an oversize valve, this variable permit limitation of maximum opening of the valve at a set percentage.	0 ÷ 100%	100%

EPP	Type of pressure transducer (S5): Sets the type of transducer for detecting the Evaporation pressure (S5)	0 = 4-20mA pressure transducer connected to the instrument. 1 = 0-5V ratiometric pressure transducer connected to the instrument.	0
EPT	Type of temperature transducer (S4): sets the type of transducer used to detect the temperature (S4)	0 = NTC 1 = PT1000 2 = PTC (-45/80°C)	0
EP4	Pressure (bar) corresponding to 4mA or 0V. In relation to the Evaporation pressure sensor (S5)	-1.0 ÷ EP2 bar	0.0 bar
EP2	Pressure (bar) corresponding to 20mA or 5V. In relation to the Evaporation pressure sensor (S5)	EP4 ÷ 90.0 bar	12.0 bar
CA4	Calibration of the inlet temperature transducer	-10.0 ÷ +10.0 °C	0,0 °C
CA5	Calibration of the Evaporation pressure transducer (S5)	-10.0 ÷ +10.0 Bar	0,0 bar
LSH	LSH threshold (low superheat temperature) Superheat values that are too low can cause return of the liquid to the compressor, or extreme oscillations. Below the LSH threshold, the ELS protection forces the PID control to close the valve more quickly and bring the value back up to the superheat setpoint.	0 ÷ SH set °C	2,0 °C
ELS	Low superheat protection When this is enabled and SH < LSH , the PID integration timer is set on the basis of the selection of 1 to 7 of the ELS. Value 1 is for the quickest closing time. Enabling of this protection starts the SHd counter for activating the LSH alarm. THE LSH PROTECTION TAKES PRIORITY OVER THE LOP PROTECTION. THE LSH PROTECTION IS NOT ACTIVATED DURING THE START-UP PHASE (ES _t TIMER) OR DURING THE DEFROSTING OR POST-DEFROSTING PHASE (Ed _t TIMER)	0 = disables the LSH protection and signalling of the relative LSH alarm 1 = 5% Etl 2 = 10% Etl 3 = 15% Etl 4 = 20% Etl 5 = 25% Etl 6 = 30% Etl 7 = 35% Etl 8 = 50% Etl 9 = 100% Etl (no correction, and activation only of the LSH alarm)	2
SHd	Activation delay of the superheat alarm: the LSH superheat alarm is triggered only after it has remained active for the SHd time. In the event of an LSH alarm, the valve closes instantly; The alarm is automatically reset and recalled when SH ≥ LSH When the alarm is active: - The LSH message blinks on the display - The buzzer is activated	0 ÷ 240 tenths of seconds	30
MOP	MOP threshold (Maximum Saturated Evaporation Temperature in relation to the S5 sensor) This represents the maximum saturated evaporation pressure above which the MOP protection is activated (EMO parameter). When MOP protection is enabled, the control closes the valve to limit evaporation temperature and to prevent the thermal protection from stopping the compressor.	(LOP+1) ÷ +45°C	+45°C

<p>EMO</p>	<p>MOP protection (enabled when tS5>MOP) When the evaporation temperature (tS5) is higher than the MOP threshold, the calculation shuts off adjustment of overheating and the valve closes, trying to limit the temperature (and therefore the pressure) of evaporation. The closure speed of the valve depends, other than the difference between the evaporation temperature and the MOP threshold, also on the EMO integral time parameter: the lower it is, the less the time there is for valve closure. On insertion of this protection, the Mod count starts to activate the MOP alarm. THE MOP PROTECTION IS NOT ENABLED DURING THE START-UP PHASE (Est TIMER) OR DURING THE DEFROSTING OR POST-DEFROSTING PHASE (Edt TIMER).</p>	<p>0 = disables the MOP protection and relative MOP alarm signal</p> <p>0-500 sec steps of 2 sec.</p>	<p>0</p>
<p>MOd</p>	<p>MOP alarm activation delay: the MOP alarm is triggered only after the MOP protection has remained active for the MOd time. The alarm is automatically reset when "Temp.S5" ≤ MOP When the alarm is active: - The MOP message blinks on the display - The buzzer is activated</p>	<p>0 ÷ 240 tenths of seconds</p>	<p>60</p>
<p>LOP</p>	<p>LOP threshold (minimum saturated evaporation temperature in relation to the S5 sensor) This represents the minimum saturated evaporation pressure below which the LOP protection is activated. When LOP protection is enabled, the control opens to prevent the compressor from stopping due to low pressure (mechanical pressure switch).</p>	<p>-45°C ÷ (MOP-1)</p>	<p>-45°C</p>
<p>ELO</p>	<p>LOP protection (activated when tS5<LOP) When the evaporation temperature (tS5) is lower than the LOP threshold, the calculation shuts off adjustment of overheating and the valve opens. The opening speed of the valve depends, other than the difference between the evaporation temperature and the LOP threshold, also on the ELO integral time parameter: the more it is, the more the opening speed of the valve. On insertion of this protection, the LOd count starts to activate the LOP alarm. THE LSH PROTECTION TAKES PRIORITY OVER THE LOP PROTECTION. THE LOP PROTECTION IS NOT ENABLED DURING THE START-UP PHASE (Est TIMER) OR DURING THE DEFROSTING OR POST-DEFROSTING PHASE (Edt TIMER).</p>	<p>0 = disables the LOP protection and relative LOP alarm signal.</p> <p>0-500 sec steps of 2 sec.</p>	<p>0</p>
<p>LOd</p>	<p>Activation delay of the LOP alarm: the LOP alarm is triggered only after it has remained active for the LOd time. In the event of an LOP alarm: The alarm is automatically reset when "Temp.S5" ≥ LOP When the alarm is active: - The LOP message blinks on the display - The buzzer is activated</p>	<p>0 ÷ 240 tenths of seconds</p>	<p>30</p>
<p>tPF</p>	<p>Valve forced positioning At any time, using the digital input (if the control is not in standby), you can force opening of the valve to a preset value.</p>	<p>0 ÷ 100 %</p>	<p>50%</p>

NOTE: all the calculation times of the LSH, MOP and LOP are reset when the control stops OR DURING THE START PHASE (Est TIMER) OR DURING THE DEFROSTING OR POST-DEFROSTING PHASE (Edt TIMER).

Loading of default settings on the basis of the EEV variable:

	EEV = 1 DEFAULT PEGO	EEV = 2 (ROOM or TN REFRIGERATED COUNTER control with on-board compressor)	EEV = 3 (ROOM or BT REFRIGERATED COUNTER control with on-board compressor)	EEV = 4 (ROOM or DUCTED TN REFRIGERATED COUNTER control)	EEV = 5 (ROOM or DUCTED BT REFRIGERATED COUNTER control)
ESH	6 °C	6 °C	6 °C	11 °C	11 °C
EPb	15 %	15 %	15 %	15 %	15 %
Etl	100 sec	100 sec	100 sec	150 sec	150 sec
Etd	2,0 sec	2,0 sec	2,0 sec	5,0 sec	5,0 sec
LSH	2 °C	2 °C	2 °C	5 °C	5 °C
ELS	2	2	2	2	2
MOP	+45 °C	5 °C	-15 °C	+5 °C	-15 °C
EMO	0	5	5	5	5
LOP	-45 °C	-25 °C	-45 °C	0	0
ELO	0	15	15	0	0

5.10

LEVEL 3 PROGRAMMING (Stepper valve parameters)

To access Level 2 programming, press and hold the SET key and STANDBY key for over 3 seconds.

When the first programming variable appears:

1. Use the (▲) key or (▼) key to select the variable to be modified. After selecting the required variable, it is possible to view its configuration by pressing the SET key.
2. Edit configuration by pressing and holding the SET key and pressing either the (▲) key or the (▼) key.
3. After setting the configuration values, press and hold both the (▲) key and the (▼) key to return to the room temperature value and exit the menu. The system exits the menu when the keypad is not used in 30 seconds. Any changes made to the variables are saved automatically when the system closes the configuration menu. Entering this menu, adjustment is interrupted and the valve is closed.

Possible electrical damage! => execute the changes at this programming level with the disconnected valve. On exiting, the valve is completely closed. On first start-up, the type of valve must be set (parameter "tEU"). It is not possible to edit the parameters relating to the coded valves (tEU >=1).

5.11

LIST OF LEVEL 3 VARIABLES (stepper valve parameters)

VAR.	MEANING	VALUES	DEFAULT
tEU	<p>Type of connected automated valve</p> <p>The settings from 1 to 7 load the default values in the variables LSP, HSP, CSP, SPD, ICF, ICM, SYN, TYP. It is however possible to edit the default values set automatically by selecting tEU other than 0. Press the Set key only to see the actual value of the EEV not loaded in default.</p>	<p>-1= valve not configured 0 = Customized (set the valve parameters) 1 = Carel EXV 2 = Danfoss ETS 25-50 3 = Danfoss ETS 100 4 = Danfoss ETS 250/400 5 = ETS 6 Danfoss 6 = Alco EX4 7 = Alco EX5 8 = Alco EX6 9 = Alco EX7 10 = Alco EX8 500 11 = Sporlan SEI 0.5-11 12 = Sporlan SER 1.5-20 13 = Sporlan SER(I) G, J, K 14 = Sporlan SEI 30 15 = Sporlan SEI 50 16 = Sporlan SEH 100 17 = Sporlan SEH 175 18 = Castel 261 / 271 Eliwell SXVB261 19 = Castel 262 / 263 Eliwell SXVB262 / SXVB263 20 = Castel 272 / 273 21 = Castel 264 / 274 Eliwell SXVB264</p>	-1

LSP	Minimum number of steps Allows selection of the minimum number of steps of the valve to which the valve should be considered completely closed. The manufacturer's manual of the valve must be read to correctly set this parameter. It is the minimum number of steps to remain within the operating range recommended by the manufacturer.	0 ÷ HSP-1 (10*steps)	5
HSP	Maximum number of steps Allows you to select the maximum number of steps which can be executed by the valve. At this number of steps, the valve should be completely open. The manufacturer's manual of the valve must be read to correctly set this parameter. It is the maximum number of steps to stay within the operating range recommended by the manufacturer.	LSP+1 ÷ CSP (10* steps)	48
CSP	Closure steps Number of additional steps to take to complete closure of the valve, used to re-align the valve in the physical fully closed position. Driver and valve are therefore ready for adjustment and alignment both on 0 (zero). On switching on the controller and periodically, forced closure is therefore carried out, to re-align the valve at the position calculated by the driver.	HSP ÷ 999 (10* steps)	50
Spd	Nominal speed Maximum movement speed of the motor without losing steps and therefore without loss of precision. It is necessary to stay under the maximum speed available for the valve.	1 ÷ 999 step/sec	50
ICF	Nominal current per phase (bipolar valves) It is the current per phase used by the valve during adjustment. Consult the manufacturer's manual.	ICM+1 ÷ 800 mA	450
ICM	Stationary current (bipolar valves) It is the current per phase when the valve is stopped for at least 5 minutes.	0 ÷ ICF-1 mA	100
TYP	Type of valve	0 = bipolar (4 wires) 1 = unipolar (5 o 6 wires)	0
dut	Valve duty cycle Fraction of time during which the valve is controlled.	0 ÷ 100 %	100
SYN	Active synchronisation Each time the valve must be completely opened or closed, a certain number of steps more is executed to achieve complete opening/closure of the valve	0 = disabled 1 = enabled in opening 2 = enabled in closure 3 = enabled in opening and closure	0
CTr	Types of adjustment Sets the type of current adjustment of the stepper motor. A microstep or half-step control ensures smoother movement (with current modulation), however this causes torque reduction. With the full-step control, the windings are always piloted to the maximum current, but movement is not as smooth.	0 = Microstep 1 = Full – step 2 = Half - step	0

Loading of default settings on the basis of the tEU variable:

tEU	LSP (x10) step	HSP (x10) step	CSP (x10) step	Spd (step/s)	ICF (mA)	ICM (mA)	SYN	TYP
-1= Valve not configured	---	---	---	---	---	---	---	---
0 = Customized	5	48	50	50	450	100	2	0
1 = Carel EXV	5	48	50	50	450	100	2	0
2 = Danfoss ETS 25-50	7	262	262	300	100	100	2	0
3 = Danfoss ETS 100	10	353	353	300	100	100	2	0
4 = Danfoss ETS 250/400	11	381	381	300	100	100	2	0
5 = ETS 6 Danfoss	0	48	52	30	260	260	2	1
6 = Alco EX4	10	75	75	500	500	100	2	0
7 = Alco EX5	10	75	75	500	500	100	2	0
8 = Alco EX6	10	75	75	500	500	100	2	0
9 = Alco EX7	10	160	160	500	750	250	2	0
10 = Alco EX8 500	10	260	260	500	800	500	2	0
11 = Sporlan SEI 0.5-11	10	160	360	200	200	50	2	0
12 = Sporlan SER 1.5-20	10	160	360	200	200	50	2	0
13 = Sporlan SER(I) G, J, K	10	250	350	200	200	50	2	0
14 = Sporlan SEI 30	20	319	360	200	200	50	2	0
15 = Sporlan SEI 50	40	639	750	200	200	50	2	0
16 = Sporlan SEH 100	40	639	750	200	200	50	2	0
17 = Sporlan SEH 175	40	639	750	200	200	50	2	0
18 = Castel 261 / 271 Eliwell SXVB261	0	42	51	35	200	50	2	0
19 = Castel 262 / 263 Eliwell SXVB262 / SXVB263	0	20	25	20	200	50	2	0
20 = Castel 272 / 273	0	20	25	20	300	50	2	0
21 = Castel 264 / 274 Eliwell SXVB264	0	99	113	70	560	50	2	0

5.12

VARIABLE QUICK VIEW MENU (READ-ONLY)

During start-up of the system, it can be useful to quickly check the detection efficiency of the various sensors or some of the values to assess or improve upon the process. To access the variable quick view menu, press and hold the DOWN key (▼) and STANDBY key for over 3 seconds. Use the Up and Down arrow keys to view the labels of the variables in this menu. Press the Set key to alternate between a label and its value. (to facilitate reading, press the Set key to switch between a label and its value. It is not necessary to hold down the set key). With the value of a label on display, press the up or down arrow to view the next or previous label (and switch from the value to the label). To exit the menu, press the up and down arrow keys together. Alternatively, the system closes the menu automatically when the keypad is not used for 2 minutes.

5.13

LIST OF VARIABLES IN THE QUICK VIEW MENU (READ-ONLY)

VAR.	MEANING	VALUES
tS4	View Inlet Temperature sensor (S4)	(read-only) °C
tS5	View Evaporation Temperature sensor (S5)	(read-only) °C
PS5	View Evaporation Pressure sensor (S5)	(read-only) Bar
tSH	View superheat temperature	(read-only) °C
oEV	EEV valve opening percentage	(read-only) %
PAS	EEV Valve opening position	(read-only) steps/10

TEMPERATURE TABLE FOR REFRIGERANT FLUIDS

5.14

The following table shows the evaporation temperature limits (tS5, see chapter 5.13) according to the type of refrigerant fluid (ErE parameter).

Parameter ErE	Code	Temperature range	Parameter ErE	Code	Temperature range
0	R404	-50 ÷ 70 °C	11	R449A	-50 ÷ 70 °C
1	R134A	-50 ÷ 70 °C	12	R290	-50 ÷ 70 °C
2	R22	-50 ÷ 70 °C	13	R32	-50 ÷ 70 °C
3	R407A	-50 ÷ 70 °C	14	R448A	-50 ÷ 70 °C
4	R407F	-50 ÷ 70 °C	15	R452A	-50 ÷ 70 °C
5	R407H	-50 ÷ 70 °C	16	R600	-20 ÷ 70 °C
6	R410A	-50 ÷ 70 °C	17	R600A	-30 ÷ 70 °C
7	R450A	-40 ÷ 70 °C	18	R1270	-50 ÷ 70 °C
8	R507	-50 ÷ 70 °C	19	R1234ZE	-30 ÷ 70 °C
9	R513A	-45 ÷ 70 °C	20	R23	-50 ÷ 25 °C
10	R744 (CO2)	-50 ÷ 40 °C	21	R717 (NH3)	-50 ÷ 70 °C
			22	R454C	-50 ÷ 70 °C

PASSWORD FUNCTION

5.15

The password function is enabled by setting a value other than 0 in the PA parameter. See parameter P1 for the various levels of protection. Protection is enabled automatically when the keypad is not used for 30 seconds. The digits 000 appear on the display. Use the up/down arrow keys to edit the number and press the SET key to confirm. The 000 password window disappears if the keypad is not used for 30 seconds. If you forget the password, use the universal number 100.

FIRST START-UP PROCEDURE

5.16

On first start-up, you must configure the third level valve parameters. The procedure on first start-up is as follows:

- 1) **With the valve disconnected** (term. 6-10 free) switch on the PEV STEPPER control. The "CFG" alarm appears to signal valve configuration is necessary.
- 2) Press the SET and STAND-BY keys for more than 3 seconds to enter third level programming. Set the parameter "tEU" based on the type of valve connected, or configure the parameters necessary (see par. 5.11)
- 3) When setting is complete of the configuration values, exit the menu simultaneously pressing buttons (▲) and (▼) for a few seconds until the value of the main display re-appears.
- 4) Switch off the PEV STEPPER control by disconnecting power.
- 5) **Adequately connect the electronic valve (see appendix A2 and A4) with control off.**
- 6) Switch on the PEV STEPPER control. On switch on, after an initialization phase ("ini" is displayed and the valve is closed completely) the control, if enabled by digital input, starts adjustment of overheating. Then, check all the parameters necessary based on the type of application (overheating setpoint, etc).

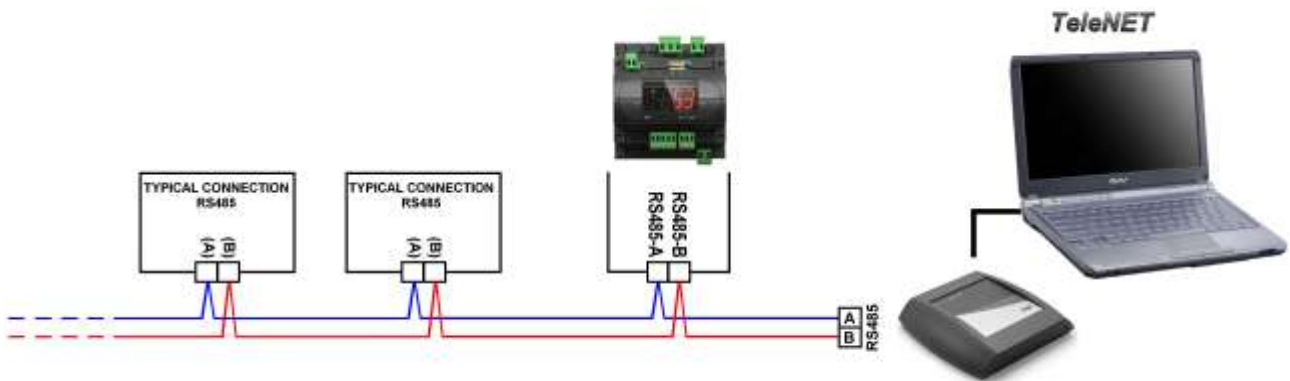
CHAPTER 6: OPTIONS

6.1

TELENET MONITORING/SUPERVISION SYSTEM

In order to connect the board to the **TeleNET** network, follow the diagram below. Configure the instrument with reference to the **TeleNET** manual.

IMPORTANT: During configuration of the “Module”, select “PEV-PULSE instrument”.

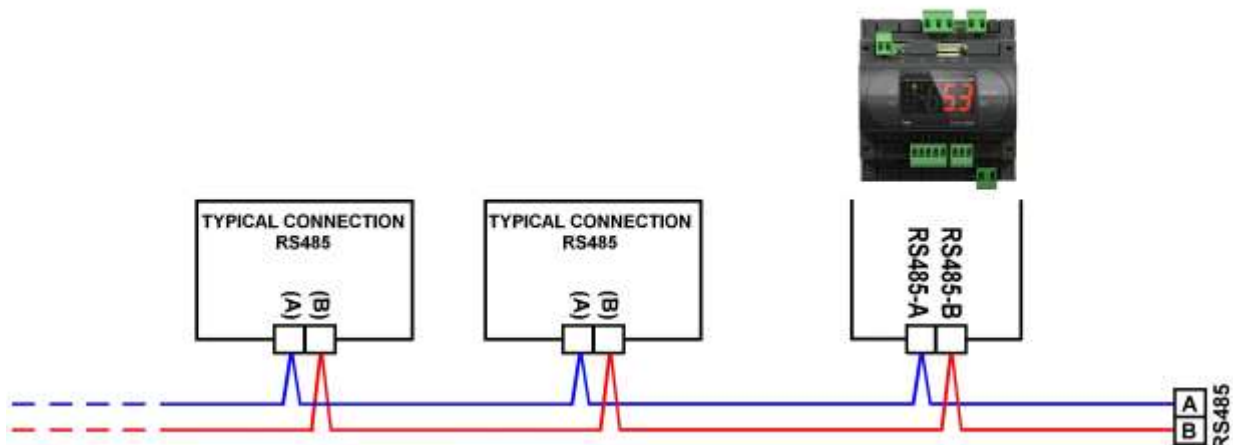


6.2

CONFIGURATION OF NETWORK WITH MODBUS-RTU PROTOCOL

Connect the board to a RS485 network with **Modbus-RTU** protocol with reference to the diagram below.

Refer to the MODBUS-RTU_PEV_PULSE manual (available on our website) for the specifications of the MODBUS-RTU communication protocol



CHAPTER 7: DIAGNOSTICS

DIAGNOSTICS

7.1

In the event of a fault, the **PEV PULSE** controller displays alarm codes on the screen and triggers the buzzer (when applicable).

The auditory alarm can be stopped by pressing the UP key (the error code remains) and reactivated by pressing the SET key.

One of the following messages appears on the screen when an alarm condition occurs:

ALARM CODE	POSSIBLE CAUSE	OPERATION TO BE PERFORMED
E4	Functional fault of the S4 Inlet temperature sensor.	<ul style="list-style-type: none"> • Check the condition of the sensor and its connections. • If problem persists, replace the sensor.
E5	Functional fault of the S5 Evaporation pressure sensor.	<ul style="list-style-type: none"> • Check the condition of the sensor and its connections. • If problem persists, replace the sensor.
LSH	Low superheat alarm.	<ul style="list-style-type: none"> • Check the status of the refrigerating system. • Edit the PID parameters. • If the problem persists, contact the technical support service.
MOP	Alarm for maximum saturated evaporation temperature exceeded, in relation to sensor S5.	<ul style="list-style-type: none"> • Check the status of the refrigerating system. • Edit the PID parameters. • If the problem persists, contact the technical support service.
LOP	Alarm for minimum saturated evaporation temperature exceeded, in relation to sensor S5.	<ul style="list-style-type: none"> • Check the status of the refrigerating system. • Edit the PID parameters. • If the problem persists, contact the technical support service.
En	Connection between display and unit interrupted.	<ul style="list-style-type: none"> • Check the connection between the display and the unit. • If the problem persists, contact the technical support service.
EE	EEPROM alarm An error was found in the EEPROM memory (the outputs are all disabled apart from the alarm outputs, if configured).	<ul style="list-style-type: none"> • Request board switch back on. • If the problem persists, contact the technical support service.
VAL	Valve Alarm An overcurrent or overheating alarm was detected of the valve. Management of the valve is disabled. On re-entering the alarm, the valve re-initializes in the total closure position.	<ul style="list-style-type: none"> • Check configuration and the connections of the valve. • Switch off and back on the equipment. • If the problem persists, contact the technical support service.
CFG	Valve not configured On first start-up, configuration is requested of the type of valve connected.	<ul style="list-style-type: none"> • Configure the type of valve connected by setting the third level parameter "tEU".
ini	Initialization in progress (closure complete)	<ul style="list-style-type: none"> • Wait for the initialization procedure to complete.
E0 E0i E0E	Eeprom alarm An EEPROM memory fault has been detected.	<ul style="list-style-type: none"> • Switch unit off and then back on. • Restore the default values (see dEF parameter).

ANNEXES

A.1

DICHIARAZIONE DI CONFORMITA' UE / EU CONFORMITY

LA PRESENTE DICHIARAZIONE DI CONFORMITA' È RILASCIATA SOTTO LA RESPONSABILITA' ESCLUSIVA DEL FABBRICANTE:
THIS DECLARATION OF CONFORMITY IS ISSUED UNDER THE EXCLUSIVE RESPONSIBILITY OF THE MANUFACTURER:



PEGO S.r.l. a socio unico - Via Piacentina 6/b, 45030 Occhiobello (RO) – Italy –
Società soggetta all'attività di direzione e coordinamento di Castel S.r.l.

DENOMINAZIONE DEL PRODOTTO IN OGGETTO / DENOMINATION OF THE PRODUCT IN OBJECT

MOD.: 200PEVS01 (PEV STEPPER)

IL PRODOTTO DI CUI SOPRA È CONFORME ALLA PERTINENTE NORMATIVA DI ARMONIZZAZIONE DELL'UNIONE EUROPEA:
THE PRODUCT IS IN CONFORMITY WITH THE RELEVANT EUROPEAN HARMONIZATION LEGISLATION:

Direttiva Bassa Tensione (LVD): 2014/35/UE
Low voltage directive (LVD): 2014/35/EU

Direttiva EMC: 2014/30/UE
Electromagnetic compatibility (EMC): 2014/30/EU

LA CONFORMITA' PRESCRITTA DALLA DIRETTIVA È GARANTITA DALL'ADEMPIMENTO A TUTTI GLI EFFETTI DELLE SEGUENTI NORME:
THE CONFORMITY REQUIRED BY THE DIRECTIVE IS GUARANTEED BY THE FULFILLMENT TO THE FOLLOWING STANDARDS:

Norme armonizzate: EN 60335-1:2012, EN 61000-6-1:2007, EN 61000-6-3:2007
European standards: EN 60335-1:2012, EN 61000-6-1:2007, EN 61000-6-3:2007

IL PRODOTTO È COSTITUITO PER ESSERE INCORPORATO IN UNA MACCHINA O PER ESSERE ASSEMBLATO CON ALTRI MACCHINARI PER COSTITUIRE UNA MACCHINA CONSIDERATE DALLA DIRETTIVA: 2006/42/CE "Direttiva Macchine".
THE PRODUCT HAS BEEN MANUFACTURED TO BE INCLUDED IN A MACHINE OR TO BE ASSEMBLED TOGETHER WITH OTHER MACHINERY TO COMPLETE A MACHINE ACCORDING TO DIRECTIVE: EC/2006/42 "Machinery Directive".

Firmato per nome e per conto di:
Signed for and on behalf of:

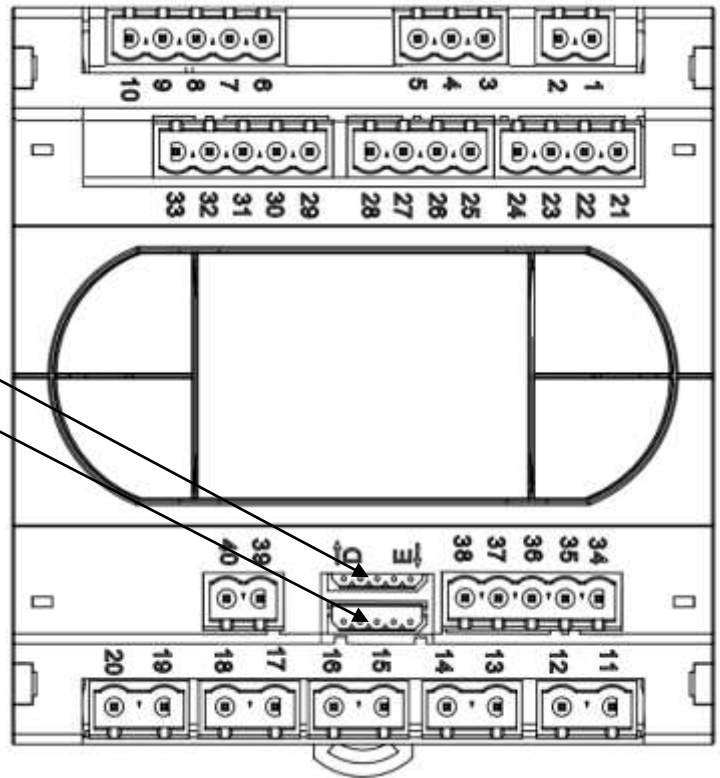
Pego S.r.l.
Martino Villa
Presidente

Luogo e Data del rilascio:
Place and Date of Release:

Occhiobello (RO), 01/01/2020

CONNECTION DIAGRAM

A.2

**Power supply section**

1:	(GND-BATT)	Battery, Common
2:	(+24Vdc- BATT)	Battery, +24 Vdc
3:	(24Vac)	24 Vac power supply
4:	(24Vac)	24 Vac power supply
5:	(GND)	GND

Section of EEV stepper electronic valve

6:	Bipolar valve output 24V (coil 1) / Unipolar valve output 12V
7:	Bipolar valve output 24V (coil 1) / Unipolar valve output 12V
8:	Bipolar valve output 24V (coil 2) / Unipolar valve output 12V
9:	Bipolar valve output 24V (coil 2) / Unipolar valve output 12V
10:	- - - / Unipolar valve GND

Section of digital outputs (voltage-free contacts)

11-12:	(NOT USED)
13-14:	(NOT USED)
15-16:	(NOT USED)
17-18:	(NOT USED)
19-20:	(DO5) Configurable relay / Alarm [RELAY 8A]

Section of analogue inputs – valve control

33:	(COM AN gnd)	Common analogue sensors (gnd)
32:	(COM AN +12V)	+12V (4-20mA sensor power supply)
31:	(COM AN +5V)	+5V (ratiometric sensor power supply)
30:	(AN_5)	Evaporation pressure sensor (S5) [per EEV] (4-20mA analogue input / 0-5V x ratiometric pressure sensor)
29:	(AN_4)	NTC / PTC / PT1000 Inlet sensor (S4). [Temperature of superheated gas for EEV].

Section of digital inputs

28:	(COM DI)	Digital inputs common
27:	(DI1)	Configurable digital input 1
26:	(DI2)	Configurable digital input 2
25:	(DI3)	(NOT USED)

Section of analogue inputs

24:	(COM AN gnd)	(NOT USED)
23:	(AN_1)	(NOT USED)
22:	(AN_2)	(NOT USED)
21:	(AN_3)	(NOT USED)

TeleNet section

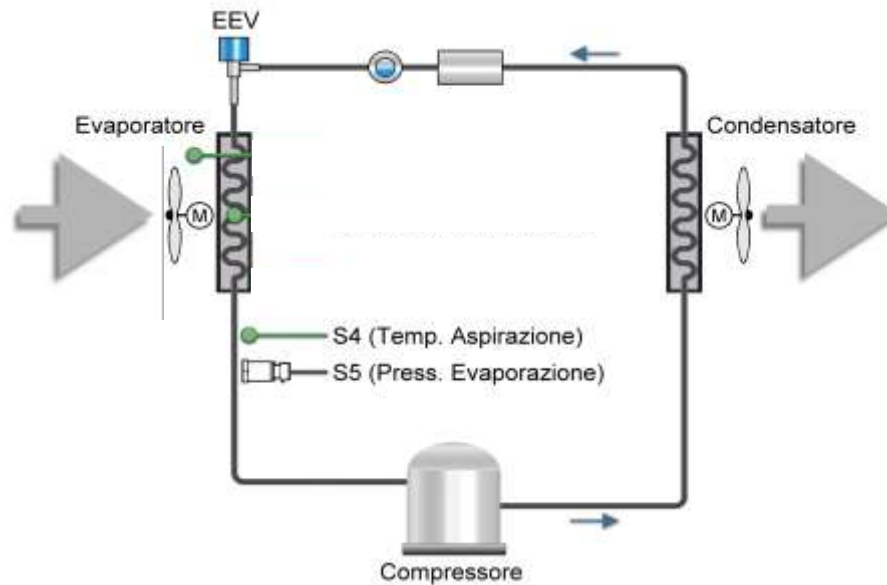
34:	(RS485-B)	RS485-B for TeleNet – Modbus-RTU
35:	(RS485-A)	RS485-A for TeleNet – Modbus-RTU
36:	(RS485-GND)	GND
37:		(NOT USED)
38:		(NOT USED)

Section of analogue output

39:	(GND)	(NOT USED)
40:		(NOT USED)

A.3

LAYOUT AND DESCRIPTION OF THE SENSORS



A.4

VALVES CONNECTION

VALVE (par. tEU)	PIN 6	PIN 7	PIN 8	PIN 9	PIN 10
1 = Carel EXV	GREEN	BROWN	YELLOW	WHITE	---
2 = Danfoss ETS 25-50	GREEN	RED	WHITE	BLACK	---
3 = Danfoss ETS 100	GREEN	RED	WHITE	BLACK	---
4 = Danfoss ETS 250/400	GREEN	RED	WHITE	BLACK	---
5 = ETS 6 Danfoss	YELLOW	ORANGE	BLACK	RED	GREY
6 = Alco EX4	BLUE	BROWN	WHITE	BLACK	---
7 = Alco EX5	BLUE	BROWN	WHITE	BLACK	---
8 = Alco EX6	BLUE	BROWN	WHITE	BLACK	---
9 = Alco EX7	BLUE	BROWN	WHITE	BLACK	---
10 = Alco EX8 500	BLUE	BROWN	WHITE	BLACK	---
11 = Sporlan SEI 0.5-11	GREEN	RED	BLACK	WHITE	---
12 = Sporlan SER 1.5-20	GREEN	RED	BLACK	WHITE	---
13 = Sporlan SER(I) G,J,K	GREEN	RED	BLACK	WHITE	---
14 = Sporlan SEI 30	GREEN	RED	BLACK	WHITE	---
15 = Sporlan SEI 50	GREEN	RED	BLACK	WHITE	---
16 = Sporlan SEH 100	GREEN	RED	BLACK	WHITE	---
17 = Sporlan SEH 175	GREEN	RED	BLACK	WHITE	---
18 = Castel 261-271 / Eliwell SXVB261	WHITE(2)	BROWN(1)	BLUE(3)	BLACK(4)	---
19 = Castel 262-263 /Eli. SXVB262-263	WHITE (2)	BROWN (1)	BLUE(3)	BLACK (4)	---
20 = Castel 272-273	WHITE (2)	BROWN (1)	BLUE(3)	BLACK (4)	---
21 = Castel 264 -274 / Eliwell SXVB264	WHITE (2)	BROWN (1)	BLUE(3)	BLACK (4)	---



PEGO s.r.l.
Via Piacentina, 6/b 45030 Occhiobello ROVIGO - ITALY
Tel. +39 0425 762906 Fax +39 0425 762905
e-mail: info@pego.it – www.pego.it

AFTER-SALES ASSISTANCE SERVICE
Tel. +39 0425 762906 e-mail: tecnico@pego.it

Distributor: